

# Point of use regulator HP 454 Frontline

- wall mounting H-Version (system version)



## Description:

The point of use regulator HP 450 is a system wall version.  
The point of use regulator is ready mounted on a console and is connected to a permanently laid piping system.  
It serves as a second stage and reduces the line pressure to an adjustable working pressure.

1 to 5 regulators with a modular dimension of 140mm can be collectively mounted on one bracket.

The HP 454 point of use regulator is fitted with a diaphragm shut-off valve, pressure regulator with pressure gauge as standard.

## Application area:

Especially for gases with high requirements on purity to 6.0. Secure and leak proof. Through our special cleaning system our pressure regulators are suitable for ECD – applications.

The point of use regulator HP 450 is also suitable for acetylene with the use of a corresponding flash-back arrestor to EN730.

## Technical details:

Body:	stainless steel 1.4404 electro polished or brass, nickel and matt chrome plated
Seat:	PCTFE
Diaphragm:	1.4435
Leakage rate: Against atmosphere	$10^{-8}$ mbar l/s helium
Gas purity:	$\leq 6.0$
Max. inlet pressure:	300 bar
Outlet pressure ranges:	0,1–1; 0,1–3; 1–6; 1–12 bar
Operating temp.:	-20°C to +70°C
Gauges:	safety version to: EN 837-1 KL1,6
Weight:	3050g
Connections:	inlet NPT 1/4" f outlet NPT 1/4" f

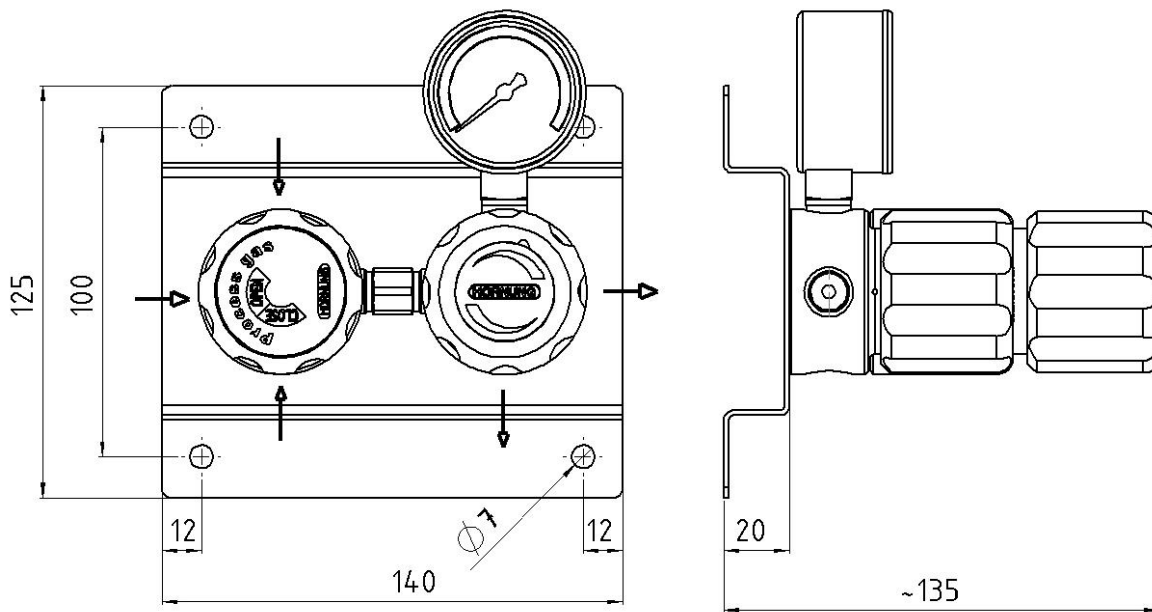
## Hornung Quality standard

The company Hornung is certified to **DIN EN ISO 9001 and ISO 14001:2009**.  
All single parts are manufactured, assembled and tested by in-house production.  
The finished parts are therefore under all criteria of German quality control with 100% final inspection.

Hornung GmbH  
Rathenaustraße 55, 63263 Neu-Isenburg

Phone: +49 6102 7883-70  
Fax: +49 6102 7883-40

www.hornung.org  
info@hornung.org

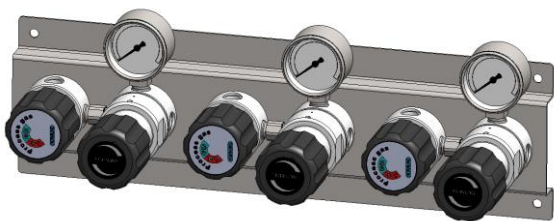


**Accessories:**

See total catalogue segment

- 5. Diaphragm shut-off und dosage valves
- 7. Accessories

Also available in a fivefold version as seen below:



**Scope of supply:**

Cylinder station with outlet gauge and inlet shut-off valve.  
 Completely mounted on a wall console out of stainless steel.  
 (For Acetylene with flash-back arrestor to DIN)

Without compression fittings.

**Ordering information:**

**Material:**

- 1 = stainless steel
- 2 = brass

**Point of use regulator:**

- 1 = 1-fold
- 2 = 2-fold
- 3 = 3-fold
- 4 = 4-fold
- 5 = 5-fold

**Outlet pressure:**

- 1 = 0,1 - 1 bar
- 2 = 0,1 - 3 bar
- 3 = 1 - 6 bar
- 4 = 1 - 12 bar

**Options on the outlet side:**

- 1 = NPT $\frac{1}{4}$ "f
- 2 = compression fitting 6mm

<b>HP454-</b>	<b>2</b>	<b>1</b>	<b>3</b>	<b>1</b>	<b>Gas</b>
Typ	Mat.	Reg.	P2	Option	Gas type